



Fireplace Esplugas

General data and commercial

Model: Esplugas
RS: A/4
Weight: 99 Kg.
Width: 710 mm.
Height: 2765 mm.
Long: 510 mm.

Construction details and material

Bell and Tube: Set made with polished steel sheet of 2mm thickness.

Ash tray: Made with polished steel sheet of 1mm thickness.

Grill: Made with polished steel profile, T-shaped, 30mm wide.

Painting: The set is painted with monocomponent enamel monocomponent, matt black, with a thermal resistance of 950 ° C.

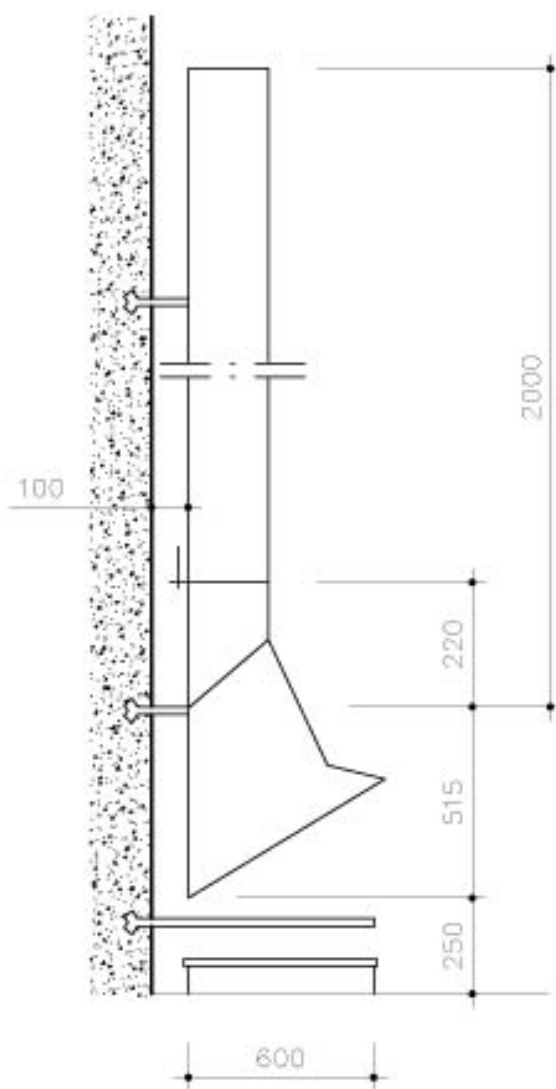
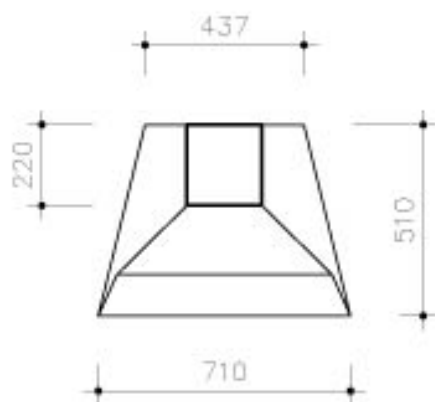
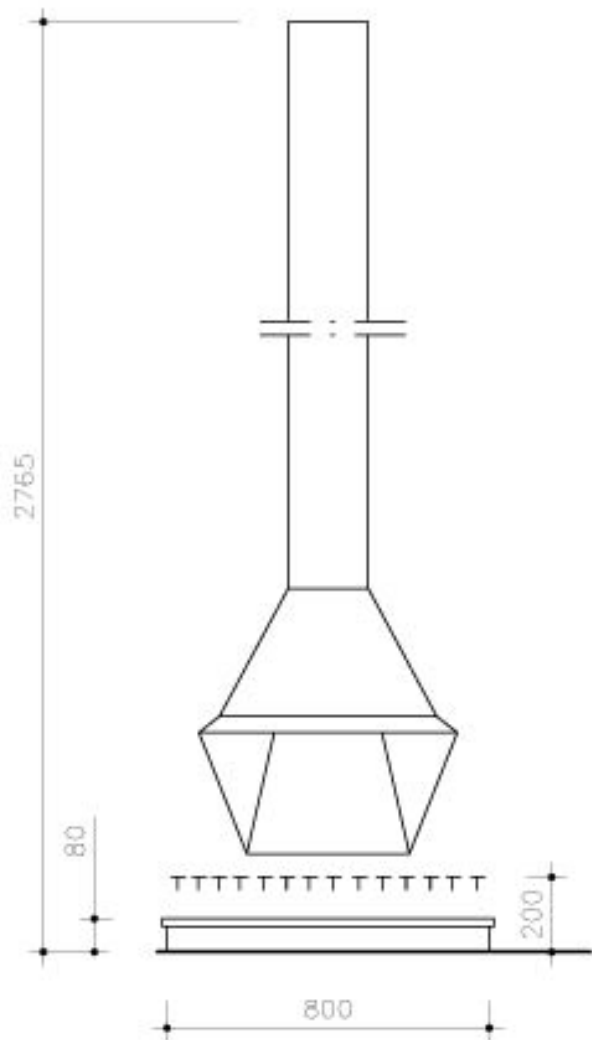
DATA FOR TRANSPORTATION:

CAGE: 2700 x 840 x 900 mm. (Length x Height x Width)

WEIGHT: 119 Kg.

TRUCK METERS: 3.4

DAE chimneys, reserves the right to make changes and / or modifications to the products and their specifications without prior notice.



Chimenea ESPLUGAS
 Diseño: Correa, F.
 Milá, A.